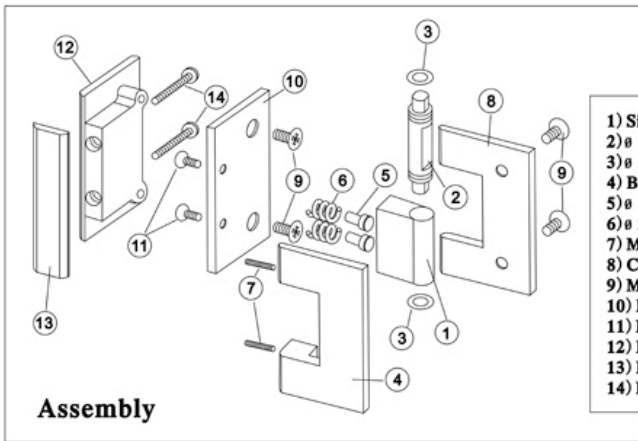


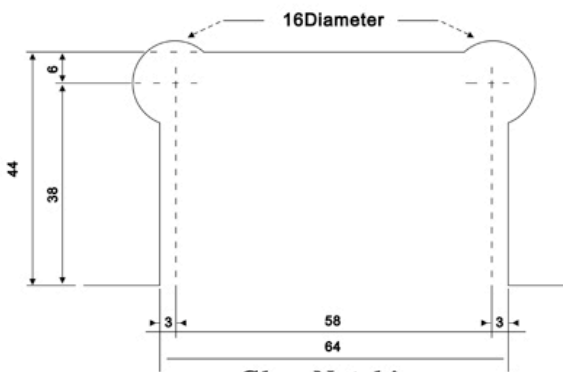
View

Brand Name : Golf Shower Hinge
Finishing : Solid Brass Chrome
Country of Origin : Hong Kong
Function : Used to mount a door to a fixed glass side-panel that runs in 90° plane, independent stainless steel screws, mounting gaskets and template.

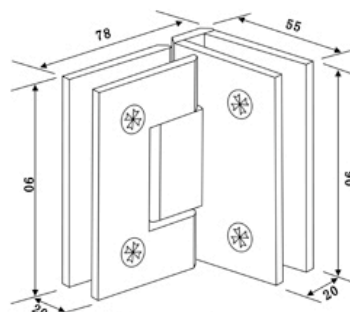


Assembly

- 1) Single Holder
- 2) \emptyset 12mm x 57mm S/S Roller Pin
- 3) \emptyset 15mm x 0.8mm PVC Washer
- 4) Base 38
- 5) \emptyset 10mm x 14mm S/S Open Nipple
- 6) \emptyset 2.3mm x 10.6mm x 17mm S/S Spring
- 7) M4 x 16 S/S Set Screw
- 8) Cover 38
- 9) M6 x 12 CSK M/C S/S Screw
- 10) Plate 90
- 11) M5 x 12 CSK M/C S/S Screw
- 12) Base 90
- 13) Hold Cover
- 14) M5 x 35 PAN M/C S/S Screw



Glass Notching



Dimension

* All dimensions are stated in mm
 * Door and return panel use the same notching