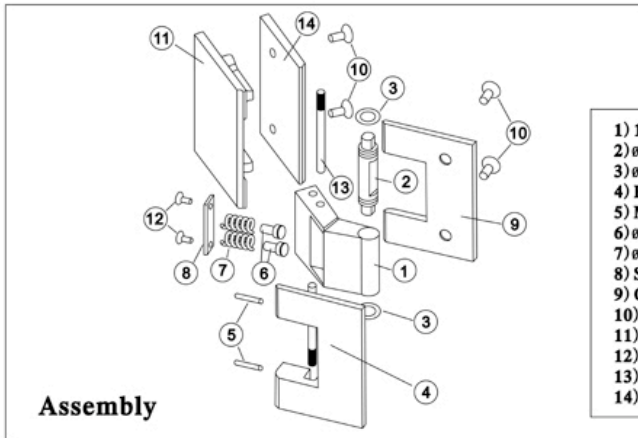


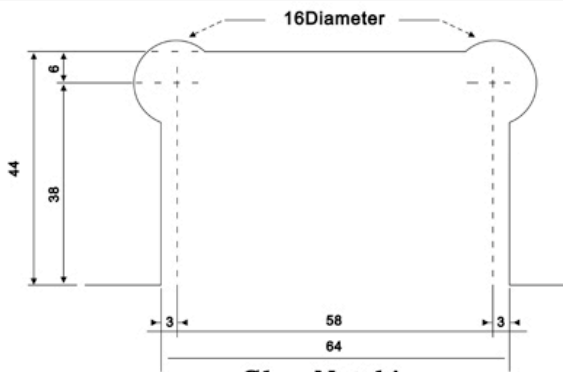
**View**

**Brand Name** : Golf Shower Hinge  
**Finishing** : Solid Brass Chrome  
**Country of Origin** : Hong Kong  
**Function** : Used to mount a door to a fixed glass side-panel that runs in 135° plane. Independent cut outs.

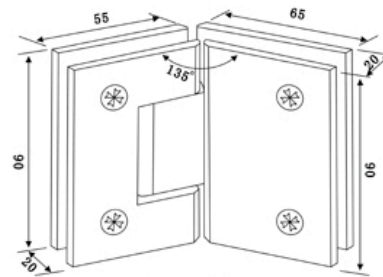


**Assembly**

- 1) 135 Holder
- 2)  $\emptyset$  12mm x 57mm Roller Pin
- 3)  $\emptyset$  15mm x 0.8mm PVC Washer
- 4) Base 38
- 5) M4 x 16 S/S Set Screw
- 6)  $\emptyset$  10mm x 14mm Open Nipple
- 7)  $\emptyset$  2.3mm x 10.6mm x 19mm S/S Spring
- 8) Stopper 135
- 9) Cover 38
- 10) M6 x 12 CSK M/C S/S Screw
- 11) Base 135
- 12) M3 x 10 CSK M/C S/S Screw
- 13) Lock Pin
- 14) Cover 180



**Glass Notching**



**Dimension**

\* All dimensions are stated in mm  
 \* Door and return panel use the same notching